

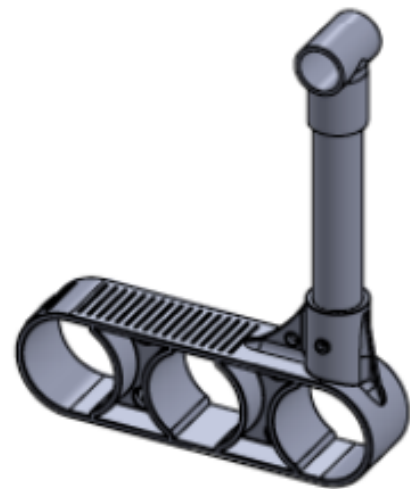
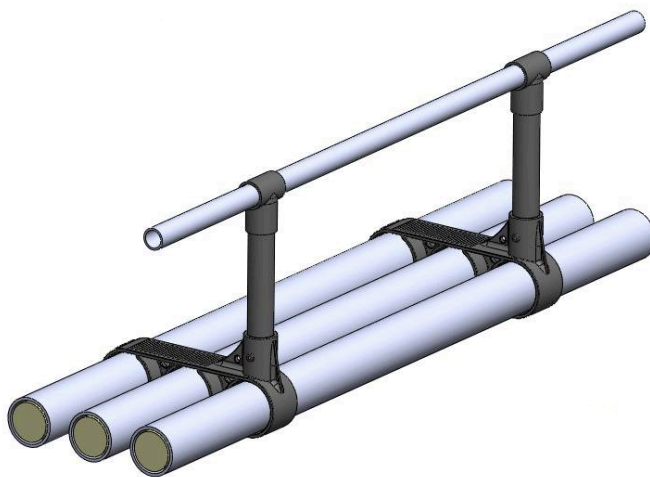
CAP Brackets

CAP brackets is strong injection brackets designed to meet the demand for high quality brackets which can resist the severe weather conditions.

CAP Brackets are superior compared to steel brackets because of it's high quality PE in order to eliminate corrosion and minimize expensive maintenance. CAP Brackets also have longer life time compared to steel brackets.

CAP Brackets offer superior structural strength, UV resistance and long lifetime

- Very resistant in exposed locations.
- Increased lifetime and no maintenance
- High quality PE
- Resists up to 8 metres of sea waves.
- Tested under 75 bar of breaking strengths
- Available in different sizes
- Flexible movements



Technical specifications:

Injection Brackets	Width	Length	Height	Weight
2x315	200 mm	1085 mm	1300 mm	26 kg
3x315	250 mm	1350 mm	1300 mm	38 kg
2x400	250 mm	1300 mm	1300 mm	32 kg